



## Mini Survey Antenna GPS1000

GPS1000 receives GPS L1/L2/L5, BDS B1/B2/B3, GLONASS L1/L2, Galileo E1/E2/E5a/E5b and L-band frequencies, which can be used in land survey, marine survey, channel survey, seismic monitoring, bridge survey, container operation, agriculture applications. It has consistent performance across the full bandwidth of the antenna. This antenna sets a new price/performance standard in its category.

It has high gain and wide beam width to ensure the signal receiving performance of satellite at low elevation angle. The phase center of this antenna remains constant as the azimuth and elevation angle of the satellites change. Signal reception is unaffected by the rotation of the antenna or satellite elevation, so placement and installation of the antenna can be completed with ease.

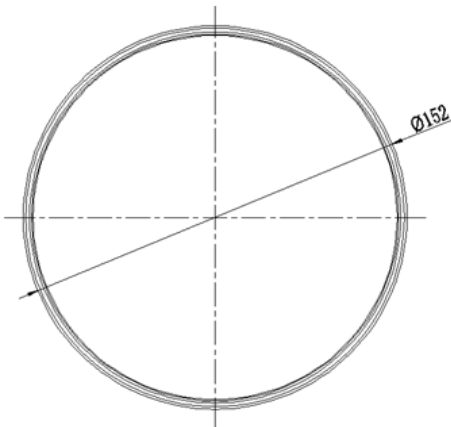
### Key Features

- Support GPS L1/L2/L5, BDS B1/B2/B3, GLONASS L1/L2, Galileo E1/E2/E5a/E5b and L-band frequencies
- Multi-path rejection board inside can eliminate the multi-path influence to measurement error
- Adopt multi feed design to ensure the superposition of phase center and geometrical center, and minimize the influence to measurement error
- Water & dust-proof design ensures absolute seal of kernel parts, capable for long time outdoor operation
- Advanced LNA (low noise amplifier) to reduce jamming by high power out-of-band transmitters

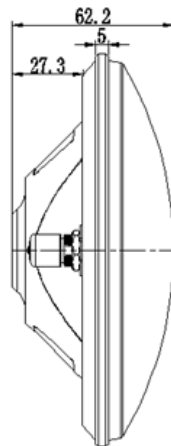
# Technical Specifications

Antenna Specification	
Frequency Range	GPS L1/L2/L5 GLONASS L1/L2 BDS B1/B2/B3 Galileo E1/E2/E5a/E5b L-band
Impedance	50ohm
Polarization	RHCP
Axial Ratio	≤3dB
Azimuth Coverage	360°
Output VSWR	≤2.0
Peak Gain	5.5dBi
Phase Center Error	±2mm
LNA Specification	
LNA Gain	40±2dB

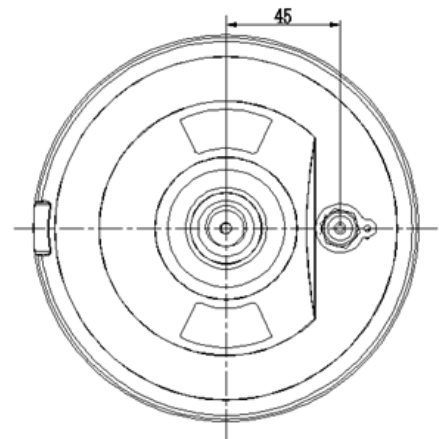
Noise Figure	≤2.0dB
Output VSWR	≤2.0
Operation Voltage	3.3~12VDC
Operation Current	≤45mA
Group Delay	≤5ns
Mechanical Specification	
Dimension	φ 152*62.2mm
Connector	TNC Female
Weight	374g
Environment Specification	
Storage Temp	-55℃~+85℃
Operating Temp	-45℃~+85℃
Humidity	95% No-condensing



Top view



Side view



Bottom view

Dimension (mm)

**Harxon Corporation**

www.harxon.com sales@harxon.com  
Tel: +86 0755-26989948 Fax: +86 0755-26989994



**Orbitica**

www.orbitica.com  
contact@orbitica.com  
+33 (0)5 62 24 31 76

HARXON AUTHORIZED DISTRIBUTION PARTNER